

Installation and operating instructions for Luxaflex® Roller Blinds



GB

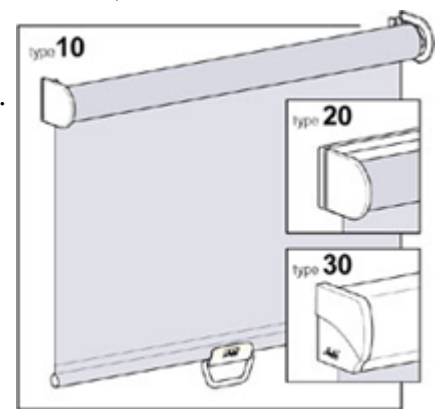
www.Luxaflex.com

General information

Please read the following installation and operating instructions carefully. We are unable to accept responsibility for products that have not been installed or operated correctly.

The Luxaflex roller blinds® comes with the following components :

- 1 set of steel mounting brackets with plastic covers (Type 10, standard).
- Mounting profile with clips (type 20)
- Mounting profile with decorative cassette (type 30), either with clips for wall mounting or brackets for ceiling mounting.
- 1 set of mounting screws (all types).



STANDARD INSTALLATION

Make sure that the position of the brackets is such that the Luxaflex® roller blind does not come into contact with protruding parts, such as window- or doorhandles, window- sills etc.

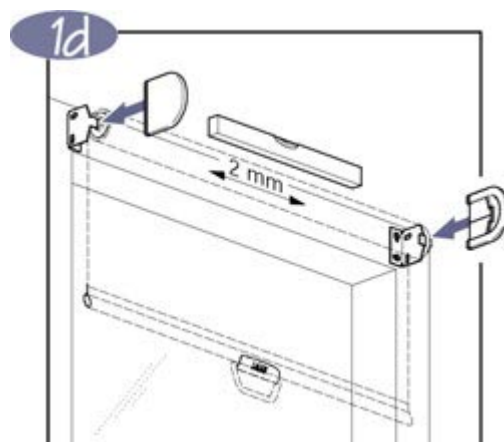
1. Installation of standard brackets (Type 10)

The brackets can be used for: wall mounting (1a), ceiling mounting (also suitable for inclined ceilings) (1b) or fixing to the side, in the recess of the window (1c). The same bracket can be used for LH and RH mounting.



1d. Mark the position of the first bracket, mark, drill holes and fix the bracket in place. It is recommended to insert the bracket cover over the bracket before marking the position of the bracket.

Insert one side of the roller in the mounted bracket. Then place the other bracket on the other end of the blind and mark its' position. (The blind should have 2 mm of play between the brackets and roller.) Make sure that the second bracket is marked so that it is level with the first, drill the holes and fix the bracket in place.



Installing the roller blind

NB: It is easier to install the blind into the brackets while the plastic bracket covers are removed.

2. Chain/Endless cord

2a. Insert the control side of the blind in the bracket. The control side has a star-shaped hole, which makes it possible to mount the blind in different angles.

NB: Make sure that the chain/endless cord hangs straight downward.

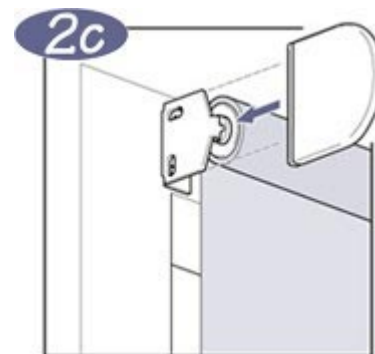


2b. Bring the bearing end of the blind to the lip of the bracket. Align the slot on the bearing with edge of the bracket.

Gently push the bearing into the bracket until a 'click' is heard. This can be done either from the top or under side.

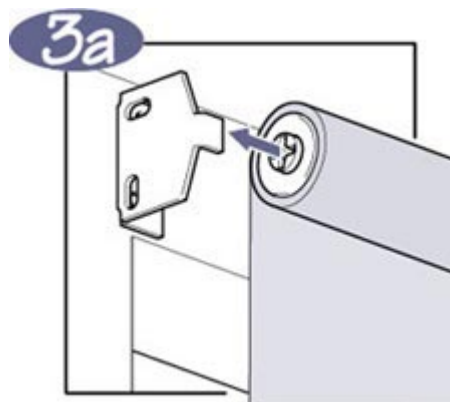


2c. Insert the plastic covers over the mounting brackets.



3. "Soft-raise" spring operation

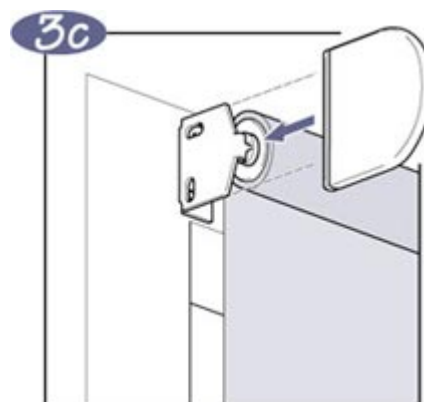
3a. Insert the cross-shaped opening of the spring, on on the LH side of the blind in the bracket (the orientation of the cross is unimportant)



3b. Bring the bearing end of the blind to the lip of the bracket. Align the slot on the bearing with edge of the the bracket. Gently push the bearing into the bracket until a 'click' is heard. This can be done either from the top or under side.



3c. Insert the plastic covers over the mounting brackets.



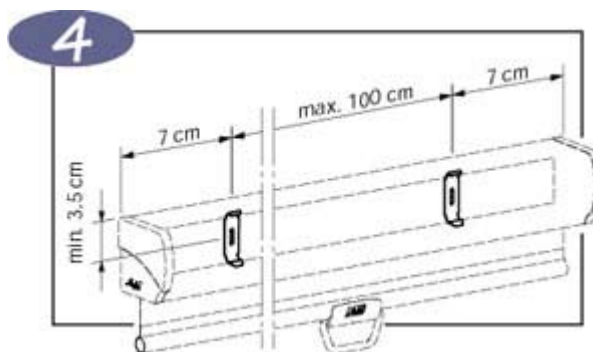
INSTALLATION OPTIONS

Installation with mounting clips (*Type 20/30*)

4. Mounting clips

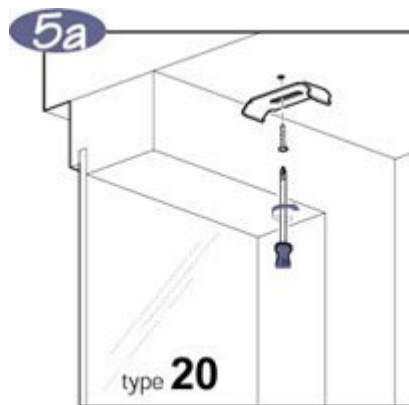
Fix the mounting clips against the wall or ceiling (always drill holes first, before fixing the screws).

Take account of the maximum distances between the clips, as indicated in the drawing.



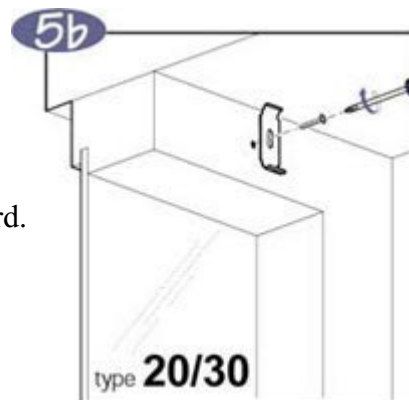
5a. Mounting on the ceiling (type 20)

The clip should be fixed on the ceiling so that the screw is (almost) centered in the slot and the lip points either towards the rear or downward.



5b. Mounting to the wall (type 20/30)

The clip should be fixed to the wall so that the screw is (almost) centered in the slot and the lip points downward.



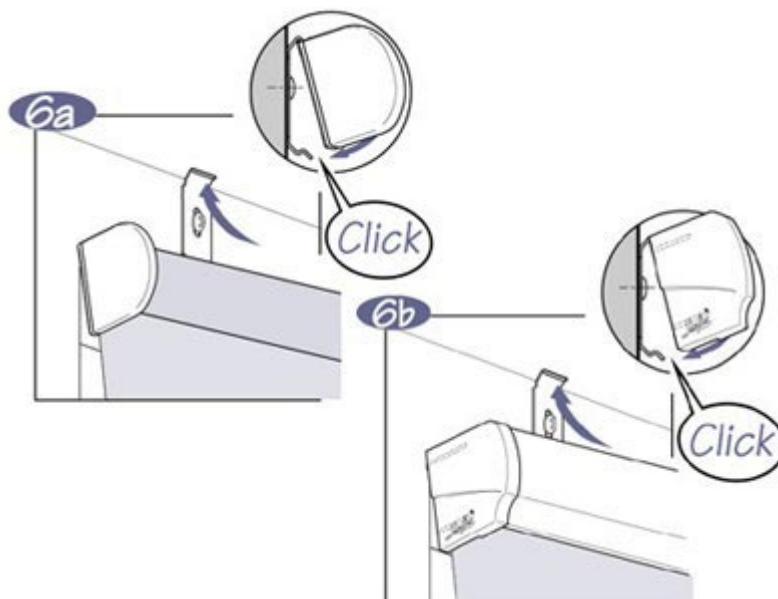
5c. Mounting on the ceiling (type 30)

Mark off the position of the brackets on the ceiling, drill holes for the screws and fix the brackets in place. Make sure that the brackets are fully parallel to each other. Maintain the same maximum distances as for the mounting clips (see step 4).



6. Fixing the roller blind (type 20/30)

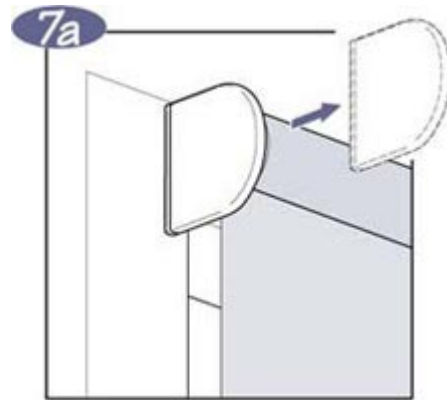
Center the roller blind against the window sill and hook the front side of the mounting profile inside the front side of the clip. Then click the rear of the mounting profile in place in the clips. Make sure that the roller blind hangs completely level in order to ensure that it will roll up straight.



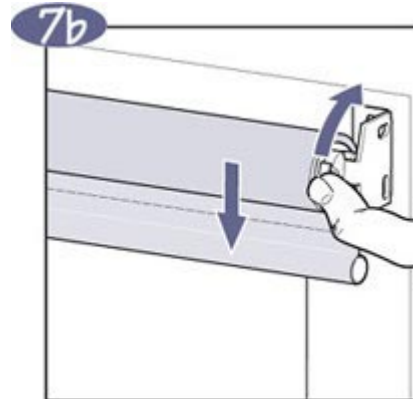
DEMOUNTING

Types 10

7a. Remove the plastic covers from the brackets.



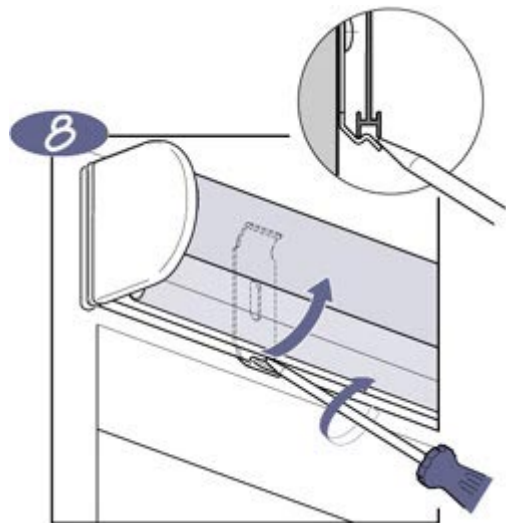
7b. Push with your thumb against the lever on the bearing until the slot opens.



Types 20 en 30

8. Insert a screwdriver between profile and lip of the clip. Gently turn the screwdriver until a click is heard.

NB: always work from the sides towards the middle, so that the roller blind continues to hang on the middle clip.



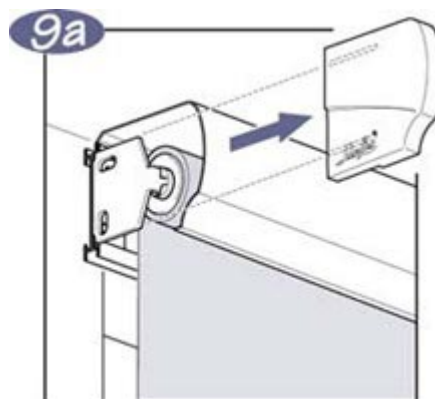
'Soft-raise' spring operation

When installing a Luxaflex® roller blind with "soft-raise" spring, it is sometimes useful to adjust the tension of the spring. This is done as follows:

Always first install the roller blind, as described above

For type 30:

9a. Loosen the side covers and pull them towards you from the brackets.



9b. The valance now hangs loose on the mounting profile and can be taken off.



To increase the tension:

Pull the blind down and lock it into position.
Demount the blind from the brackets and roll it up again by hand.

NB: every turn helps to increase the tension on the spring.

Reinsert the blind into the brackets and test the tension again by pulling the blind down and letting it roll up.

To decrease the tension:

Let the blind roll up completely, but make sure it is locked in position.
Demount the blind from the brackets and roll the fabric off by hand.

With every turn the tension on the spring will decrease.

Re-install the roller blind into the brackets and test the tension by operating the blind.

For type 30:

hang the cover profile on the mounting profile. Put the plastic covers back over the brackets and click them in place over the ends of the cover profile.