

installation and operating instructions for Luxaflex® Venetian Blinds



16/25 mm
35/50 mm
Luxaflex Lightline®
Ondulette®

www.luxaflex.com

General information

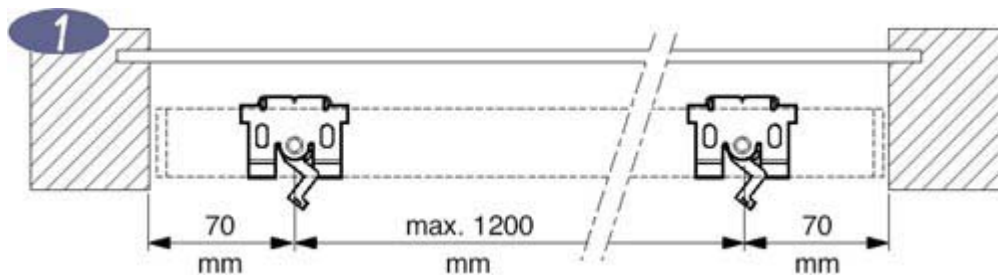
Please read the following installation and operating instructions carefully. We are unable to accept responsibility for products that have not been installed or operated correctly.

STANDARD FITTING

The blinds are supplied with brackets for installation

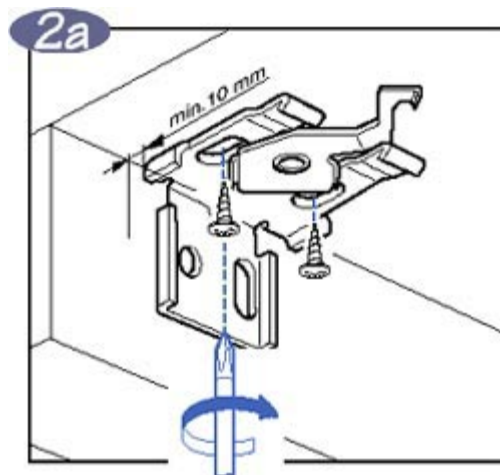
1. Positioning

Check that the brackets will be fitted in line, level and with a maximum distance between the brackets of 1200 mm (47 1/4"). Make sure the position chosen allows the blind to drop, clearing any obstruction such as window handles etc. Blinds with a total surface more than 4m² should be fitted with 2 brackets near the cordlock mechanism.



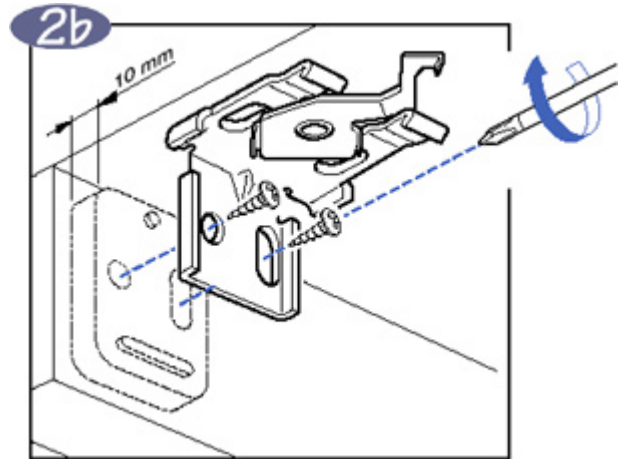
2a. Fitting the brackets

The brackets can be top fixed or face fixed. If top fitting an **Ondulette®** or **Variozone** blind a 10 mm (1/2") space should be allowed behind the bracket.



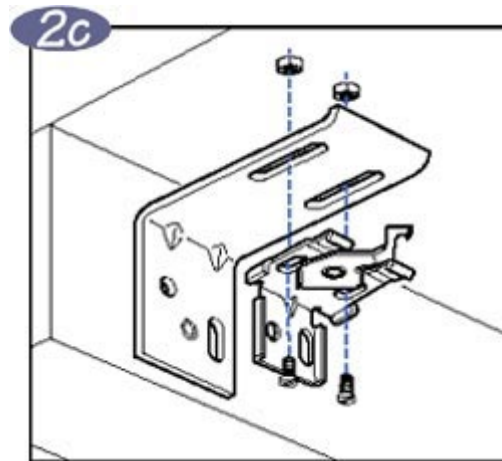
2b. Using a 'spacer block'

If face fitting an **Ondulette®** or **Variozone blind**, a space of 10 mm (1/2") is required between the wall and the back of the headrail. A special 'spacer block' is supplied for this purpose.



2c. Optional Extension brackets

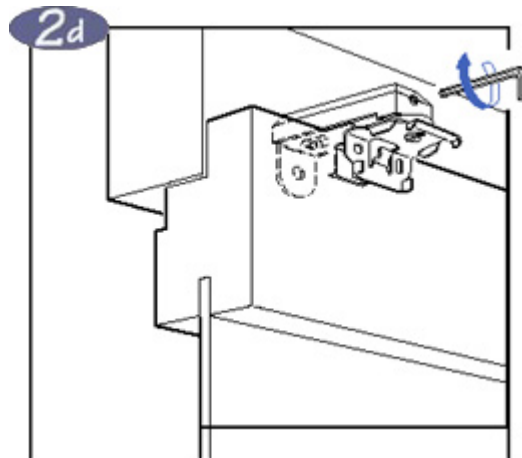
The swivel brackets can be attached to the special extension brackets. These brackets can be used to increase the clearance between blind and the window frame. For fixing to a ceiling a top fix only bracket is available on request.



2d. Optional (TAT)brackets

For 'Tilt and Turn' windows, brackets with a clamp mechanism may be used.

If you have purchased a Frontfix blind, see the enclosed Frontfix assembly sheet.

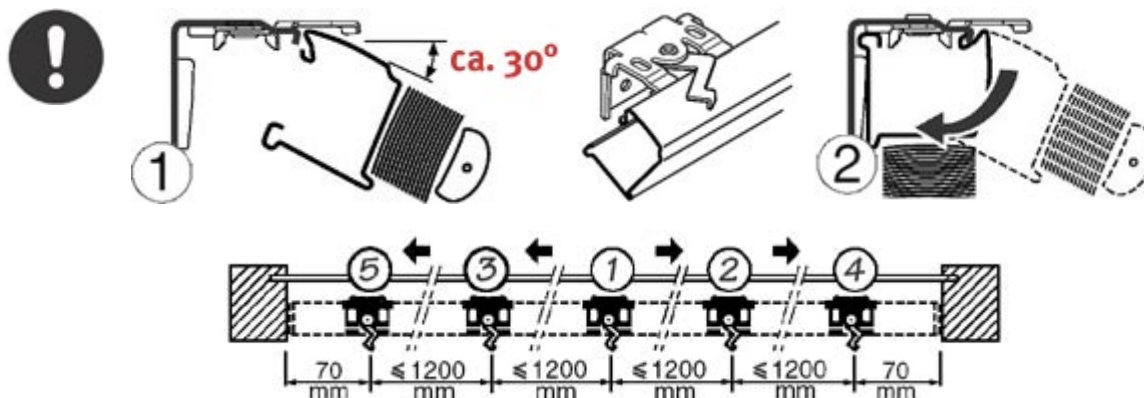
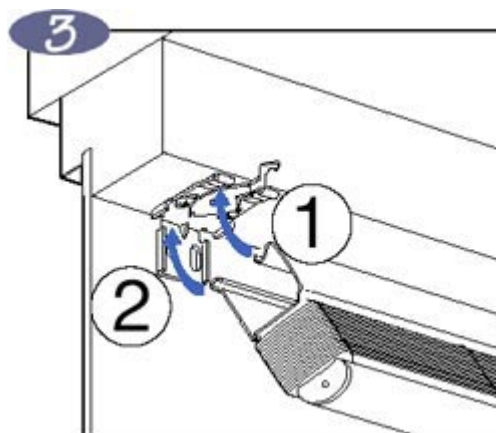


INSTALLATION

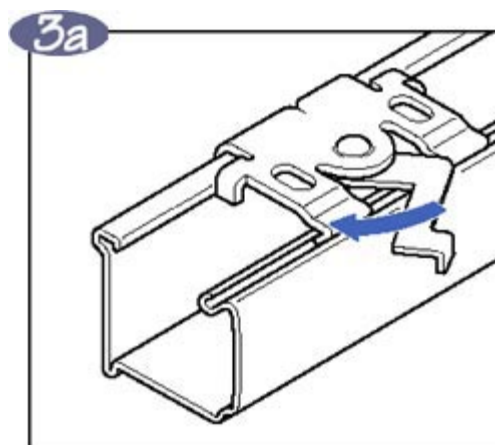
3. Positioning the blinds

Once you have mounted the brackets in position and opened the swivel supports, the headrail can be placed in the supports.

Please note: place the front [1] in the supports first, then the back [2] by firmly pressing.

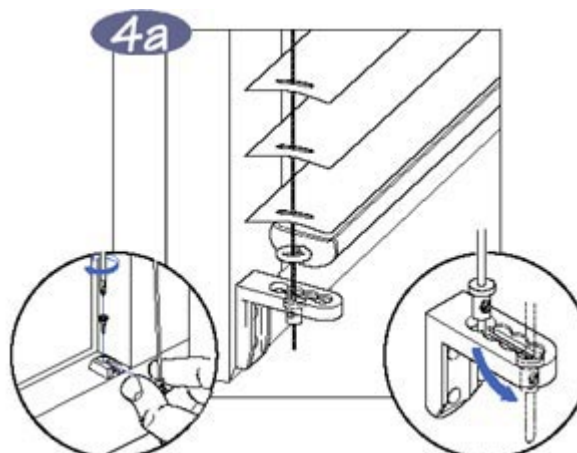


Close the swivel to secure the blind [3a].



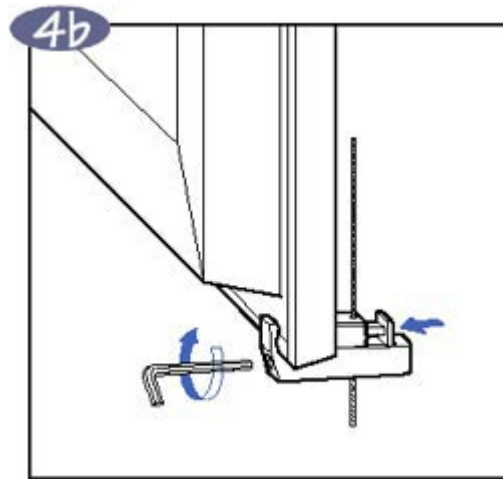
4a. Side guiding

If you specified your blind with side guiding, a space of 10 mm (1/2") will be required from the end of the headrail. The side guiding brackets can be face or sill fixed.



4b. Side guiding for 'Tilt and Turn' windows

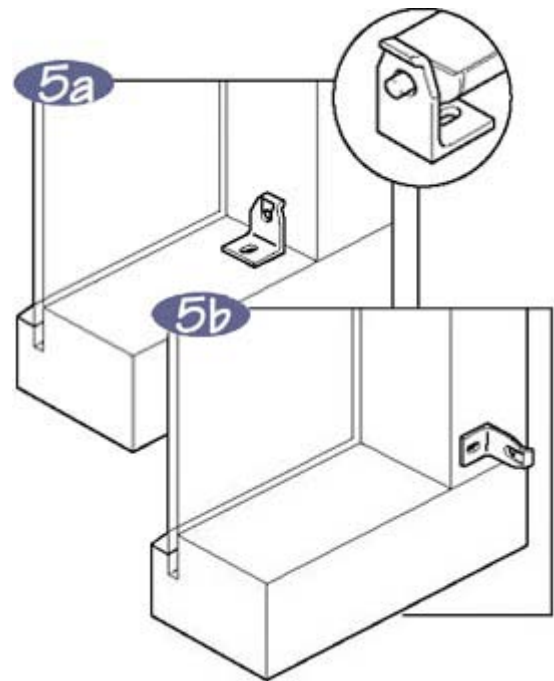
To attach the side guiding cable, fix the clamp bracket to the window. Feed the cable through the holes of the clamp bracket and attach to the special slide. Tighten the cable and press



5a/b. Hold down brackets

When fitting hold down brackets, the end cap pins locate into the brackets to hold the blind in position.

To raise the blind, the bottom rail must be released by pulling the hold down brackets to the sides.



OPERATION

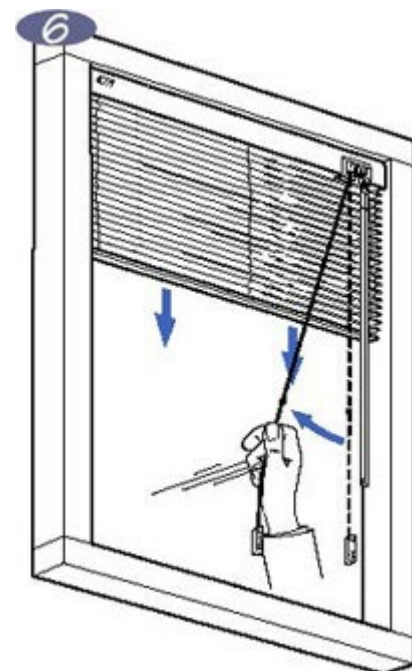
6. Standard cord and wand tilter

Always tilt the slats to a horizontal position by turning the wand, before raising or lowering the blind.

Lowering: pull the cord diagonally towards the centre of the blind to release the cord lock. Then allow the blind to drop by letting the cords slip through your fingers at this angle. An angle of approximately 45 ° between the cord and the headrail is optimal.

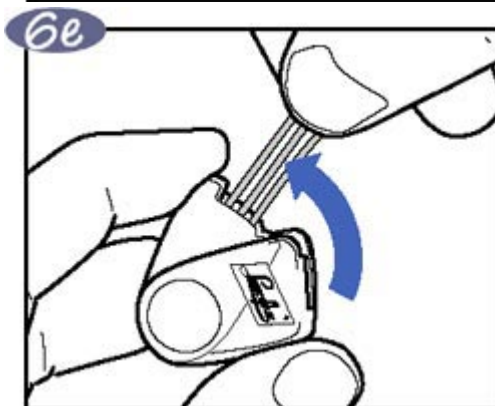
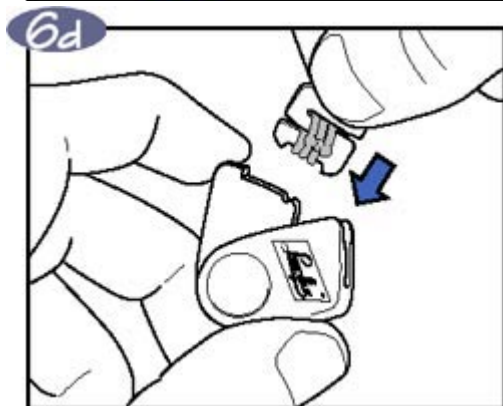
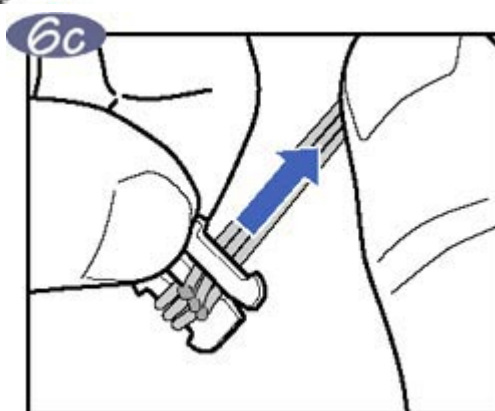
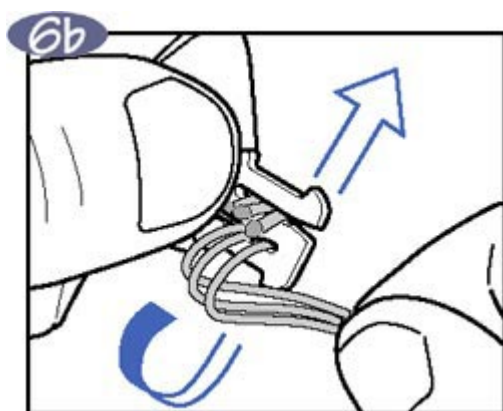
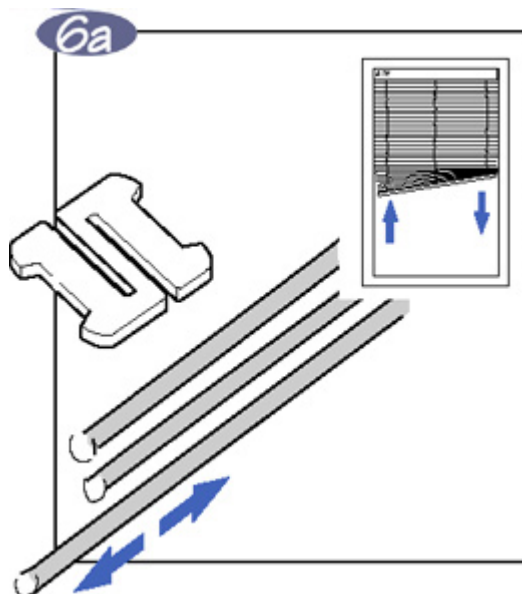
Raising: pull the cord vertically until the desired position is reached. Holding the cord towards the edge of the blind will help engage the cord lock to secure the blind in this position

Cord connector: As a safety feature, if weight is placed between the pull cords, the cord connector will open automatically. The pull cords can also be adjusted by opening the cord connector.



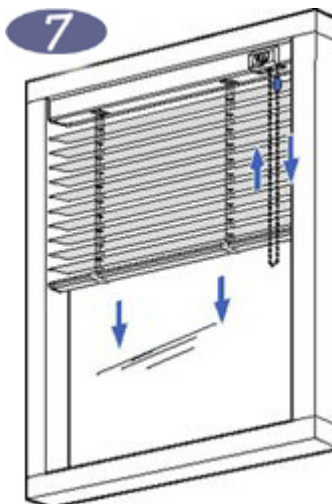
To remount the cord connector, take the following steps:

- If desired, adjust the length of one of the pull cords [6a].
- Insert the pull cords into the S hook as shown in the drawing [6b].
- Wrap the pull cords once around the S hook from the bottom and pull the cords tight [6c]!
- Insert the S hook horizontally back into the cord connector [6d].
- **Please Note:** keep the cords pulled tight.
- Close the cord connector [6e].



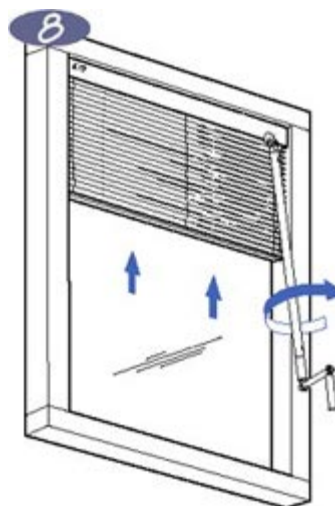
7. Chain control

The endless chain control is very convenient in use and self explanatory in operation. The mechanism combines the tilting function with the raising/lowering in one operation.



8. Crank Rod Control

Similar to the chain control, the crank rod control also is very convenient in use and self explanatory in operation. The mechanism again combines the tilting function with the raising/lowering in one operation.



9. Bottom rail operation

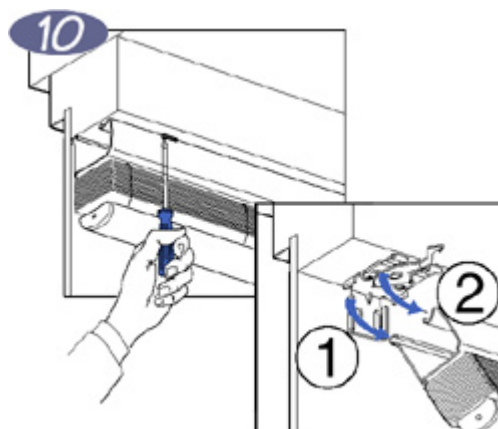
First mount the side guide wire cable [see 4a]. This operation mechanism is extremely simple to use. The angle of the handle can be adjusted.



DEMOUNTING

10. Demounting

Open the swivel supports (e.g. with a flat head screwdriver) and remove the blind from the brackets by first disconnecting the back [1] and then the front [2].



CLEANING

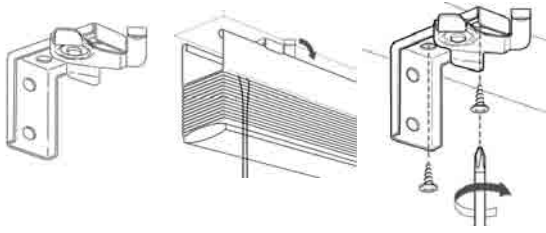
Luxaflex® blinds are easy to clean. Under normal circumstances regular dusting with a duster will be sufficient. If required, a damp cloth or a vacuum cleaner on low suction can be used. For more extensive cleaning, water and a mild household detergent can be used.

The above recommendations have been drawn up with care. We are, nevertheless, unable to accept responsibility for the results of cleaning.

35 & 50mm Venetian blinds

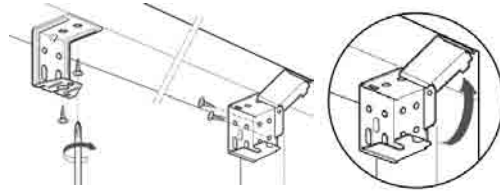
Standard Swivel Brackets:

Locate blind onto bracket and close swivel to lock.

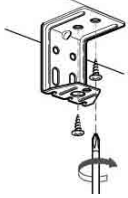


Optional brackets:

Side, top or face fix box bracket.



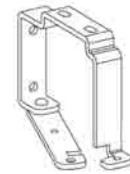
Place blind into the front of the bracket and close down "the gate" making sure the tab on the bottom of the bracket locates into the slot.



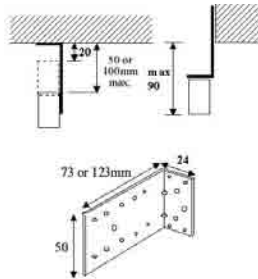
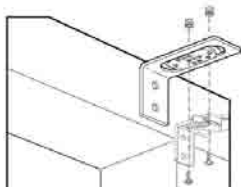
Depending on the width of the blind you will have also been supplied centre support brackets which can be top or face fixed.

Recess Pocket Brackets :

These can be used where the blind is mounted in a pocket in the ceiling. The bracket is top or face fitted. Push the blind up into the bracket, and then close the swivel section at the bottom of the bracket to secure.

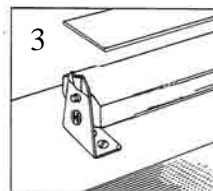
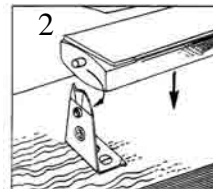
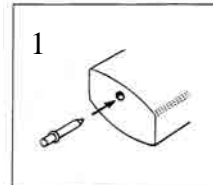


Extension Brackets

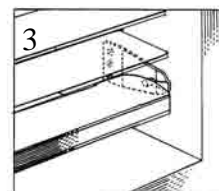
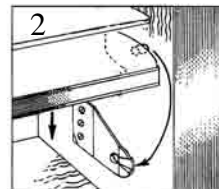
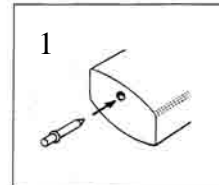


Options - Hold Down Brackets

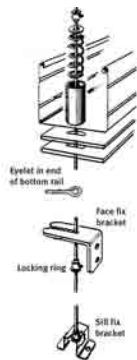
Face/Sill Fix



Side Fix



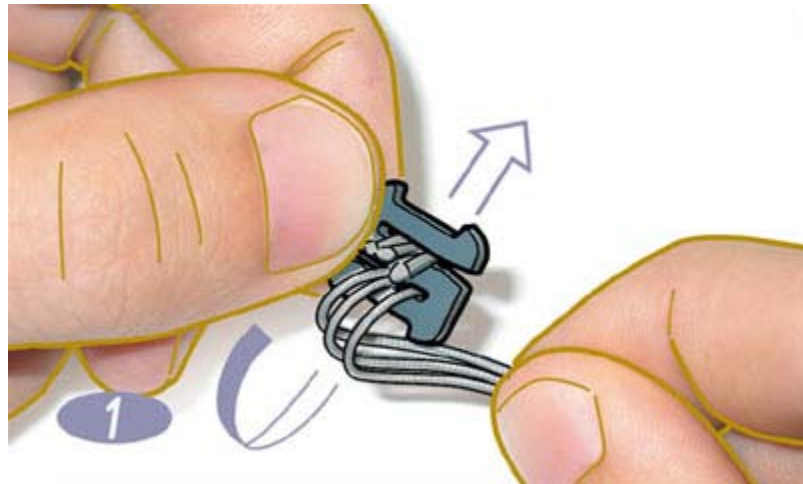
Side guiding



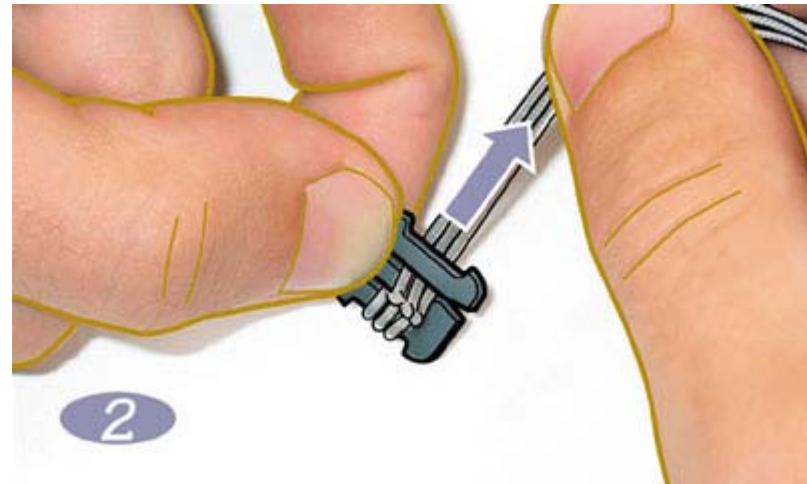
INSTRUCTIONS CARD

Smart, user friendly cord connector.

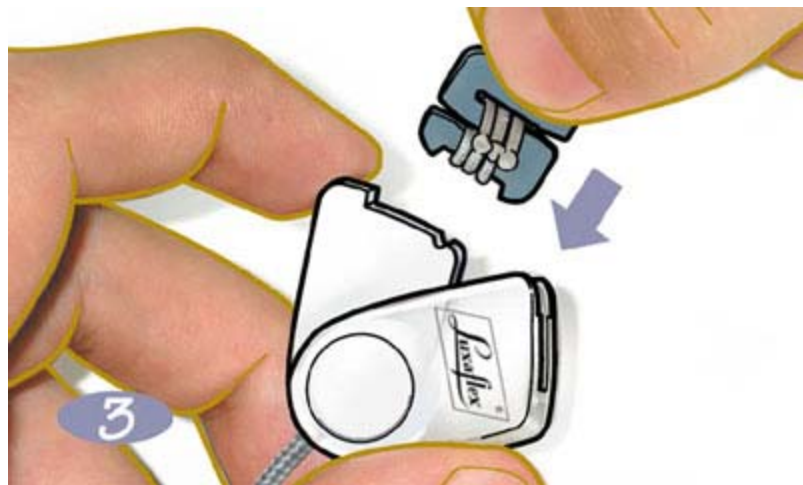
This cord connector opens automatically when weight is placed between the pull cords. This increases the safety and reduces the risk of accidents, e.g. when pets or children get into the cords.



Step 1: Pull all cords parallel through both openings of the cord connector plate and slide this plate as far as possible to the end of the cords.



Step 2: Pull all cords through along the bottom of the plate.



Step 3: Hold this plate horizontal and place this into the white section of the cord connector.

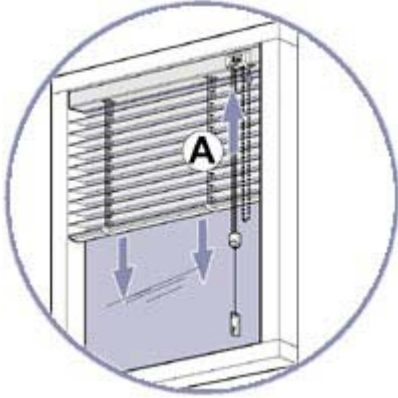


Step 4: Slide the transparent part over the white part until you hear the cord connector closing with a click. Make sure that the cords come out of the groove next to each other at the top of the cord connector.

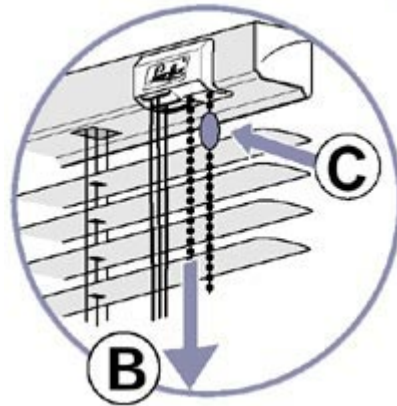
Varizone - Operating instructions venetian Blinds



1.



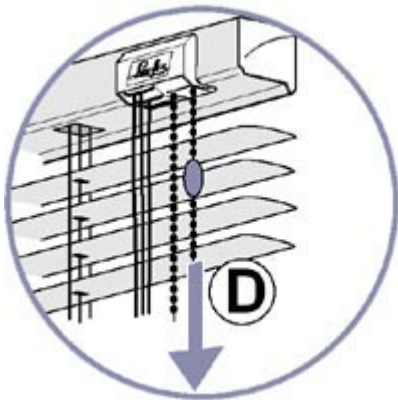
2.



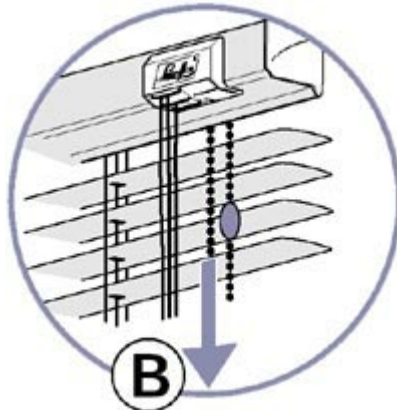
1. Lower the blinds. [A]

2. Pull on the left side of the operating chain [B] until the chain [C] is at the top right.

3.



4.

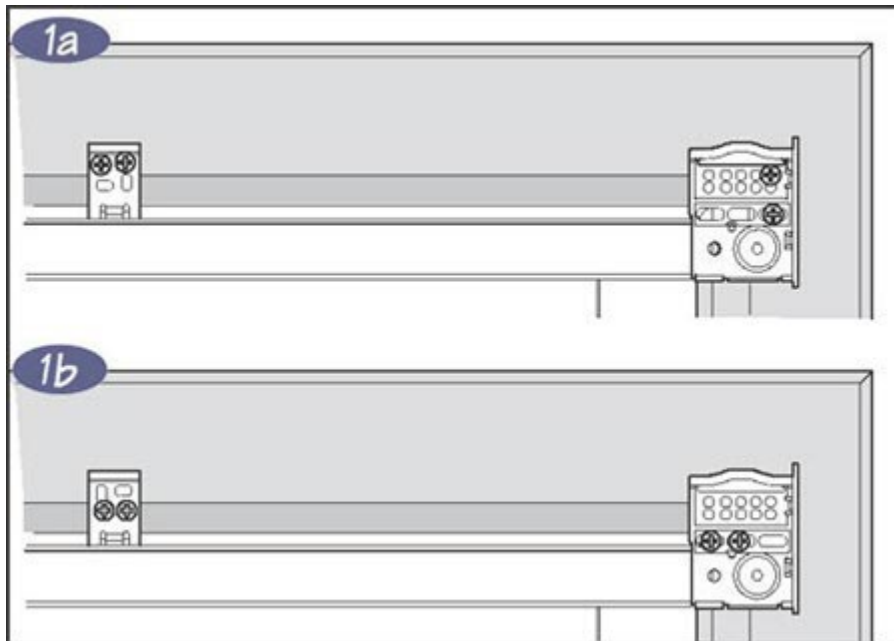


3. Now pull on the right side of the operating chain [D] (the side near the stop) to close the blinds. Keep pulling until the desired closed height is reached from the bottom.

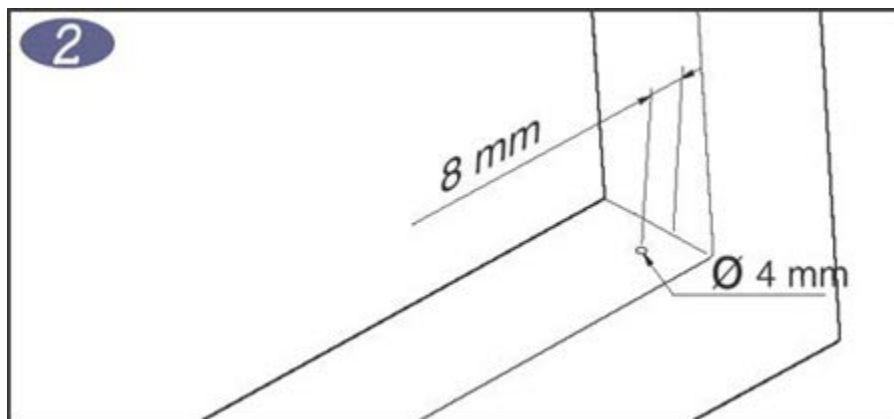
4. Pull on the left side of the operating chain [B] to open the blinds in the top zones.

5. If a different closing height or other blind settings are desired, repeat steps 2 to 4.

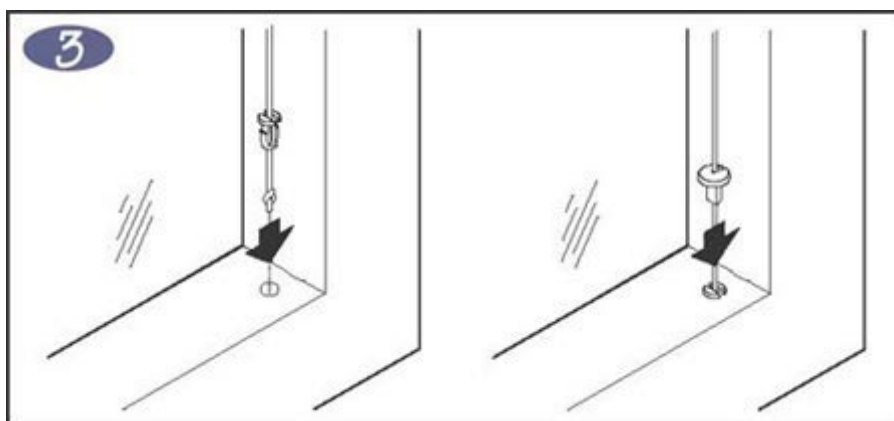
FRONTFIX MONOCOMMANDO



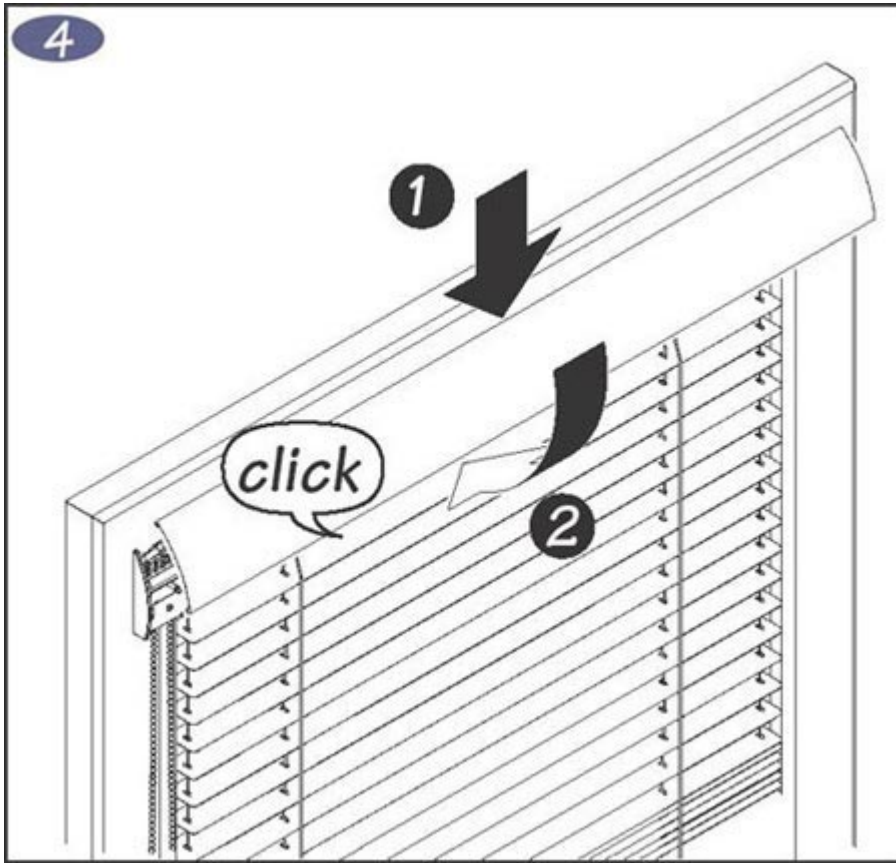
1. Mounting on window-frame [a] / glazing bead [b]



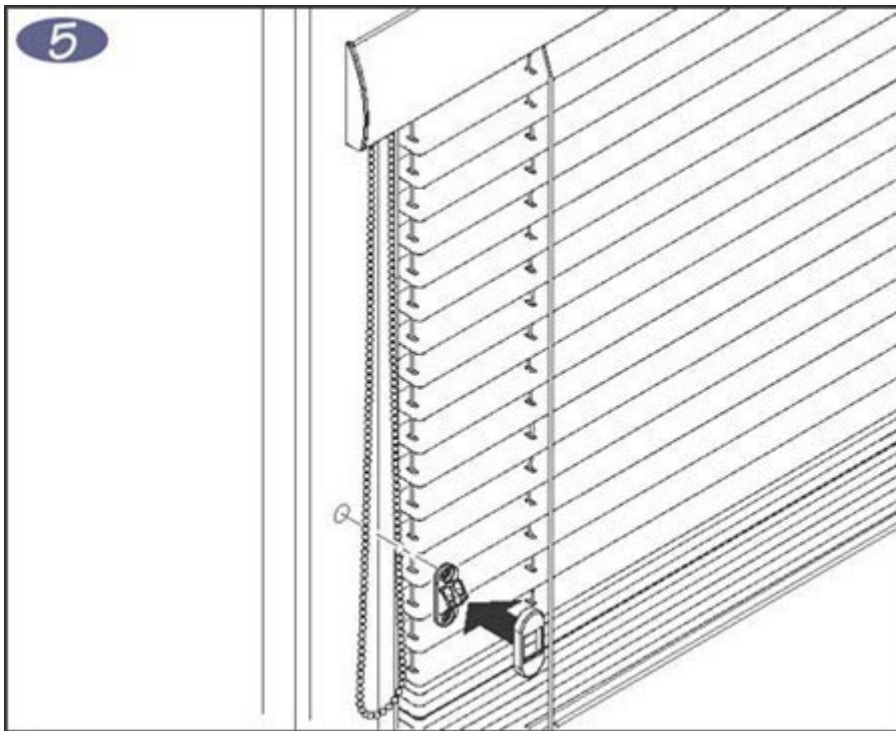
2. End of the blind till centre of hole = 8 mm



3. Side guiding plug in hole



4. Clicking slat



5. Mounting the mounting bracket