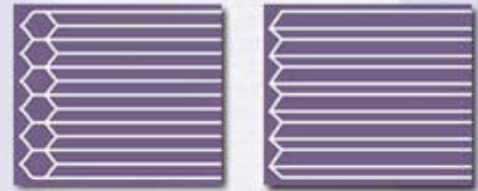


Installation and operating instructions for Luxaflex® Duette® and Plissé Shades



www.Luxaflex.com

GB

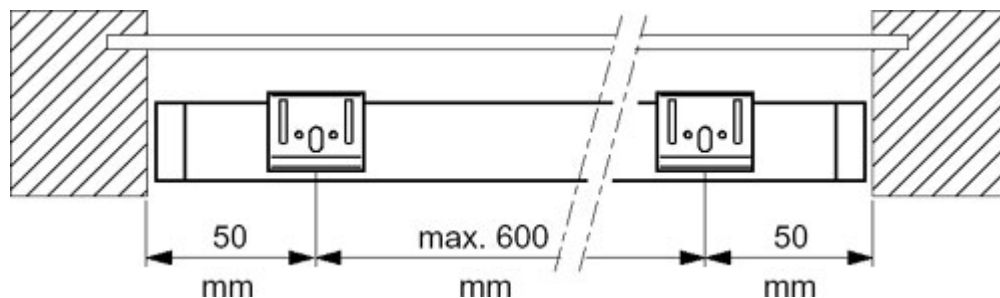
General

Thank you for purchasing this Luxaflex® quality product. Please be sure to follow these installation and operating instructions carefully. We cannot accept responsibility if they are ignored or carried out incorrectly.

Standard Installation

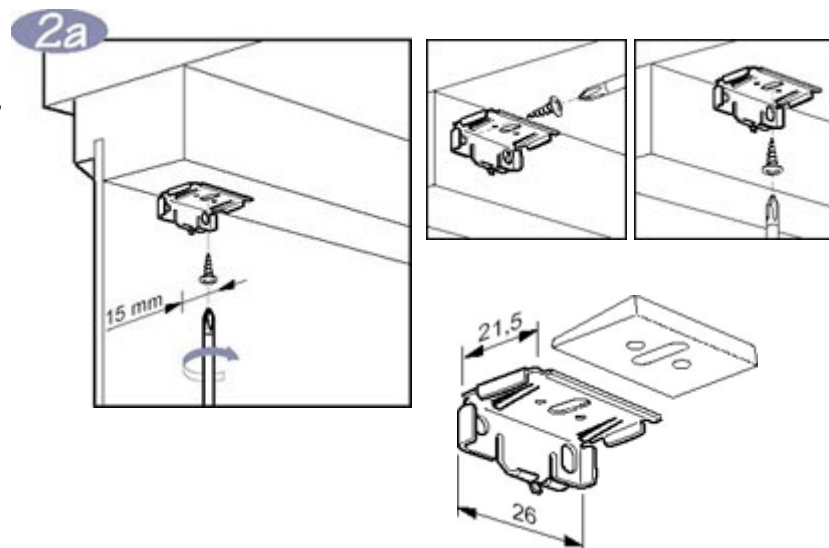
1. Brackets

Mark the position of the mounting brackets on the window frame or rooflight, as shown in the diagram. Make sure the mounting position is strong enough to take the weight. Choose a position where the blind can be operated without interference from protruding objects such as window or door latches, handles, etc.



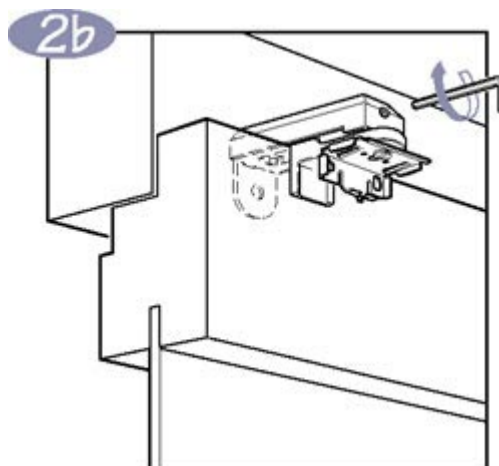
2a. Installing wall and rooflight brackets

Using the screws provided, mount the brackets in one of the positions shown in the diagram. If necessary, the wedges supplied can be used with sloping window frames.



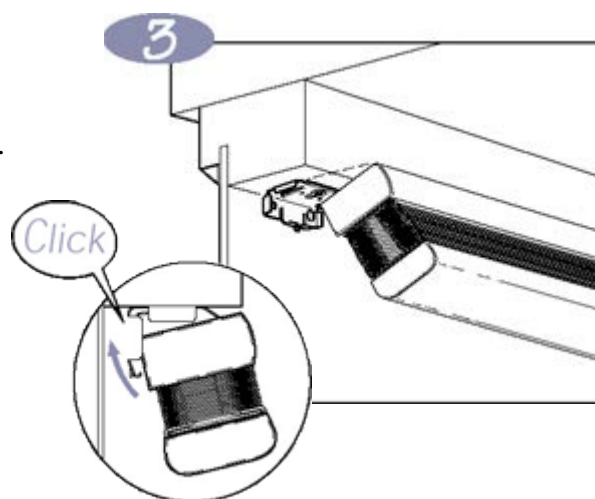
2b. Mounting to plastic or aluminium window frames

The clamp mount shown is available for use with plastic or aluminium side-hung or tilting windows. Use an Allen key to fix the clamp to the plastic or aluminium frame.



3. Mounting the headrail

Slip the headrail over the front edge of the clip, then press the rail upwards until it clicks into place.



Operation

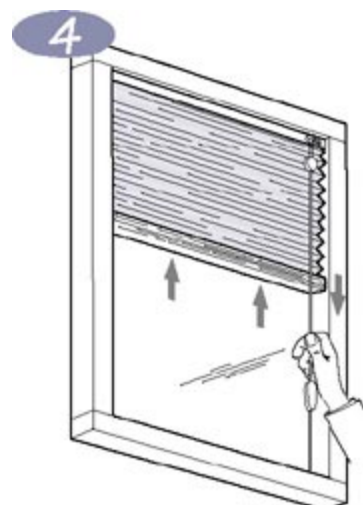
The blind can be operated in several ways, depending on your chosen configuration:

4. Cord and cord lock

Pull the cord towards the centre of the blind to release the cord lock. Pull the cord back towards the side to lock the cord.

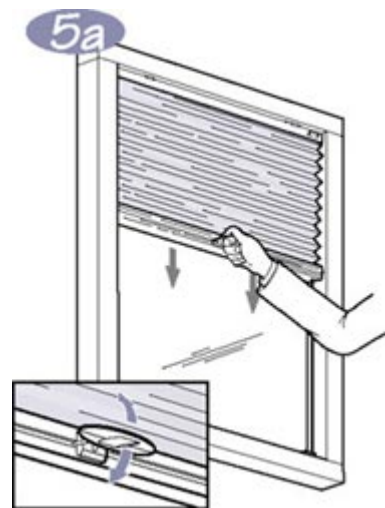
Important:

You should pull the cord to the right or left, NOT to the front.



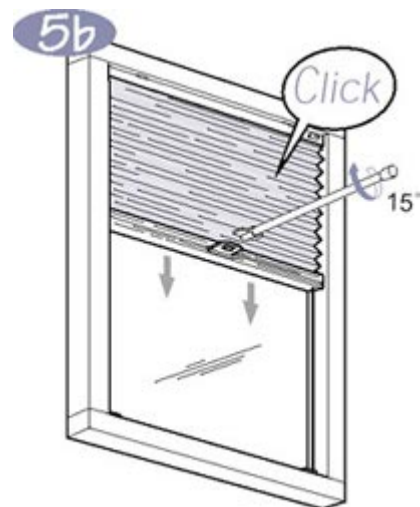
5a. Using the handle

You can use the catch on the handle to adjust the blind.



5b. Using the crank rod (optional)

Place the end of the rod over the handle.
Turn to the left to lock in position.

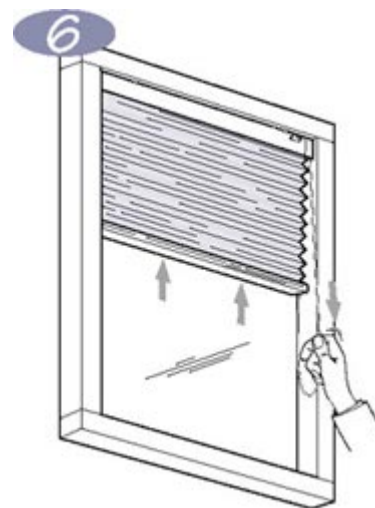


6. Using the endless cord

Pull on this cord to operate the blind.

Electric operation (not shown)

Use the switch to raise or lower the blind.

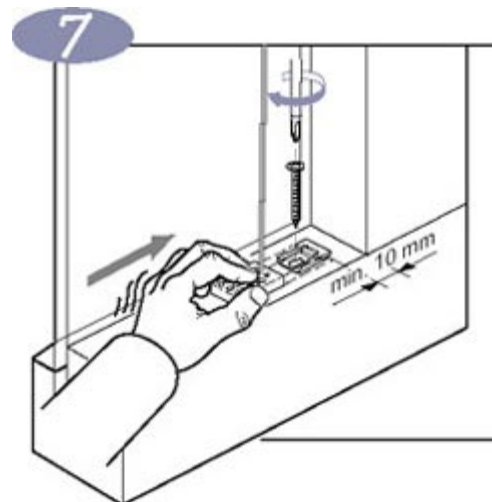


INSTALLATION OPTIONS

There are a number of installation options, depending on your application.

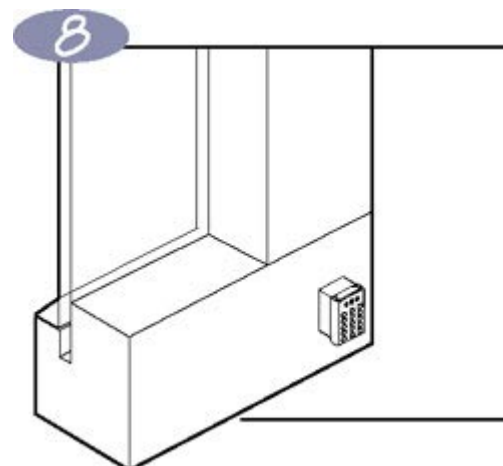
7. "In-frame" side guide with footplate

The guide wire must be located vertically under the headrail.
The length of the guide wire is set when the blind is ordered.



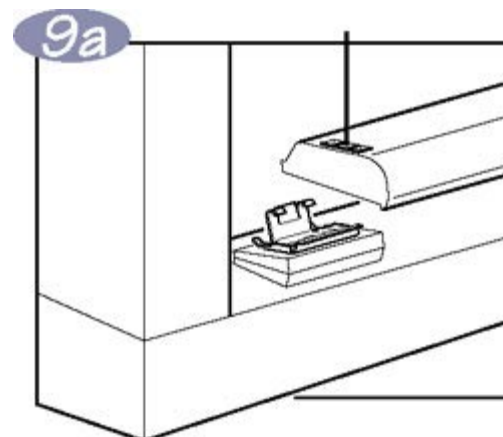
8. "On-frame" side guide with footplate

The guide wire must be located vertically under the headrail. Mount the bracket so it holds the guide wire taut.



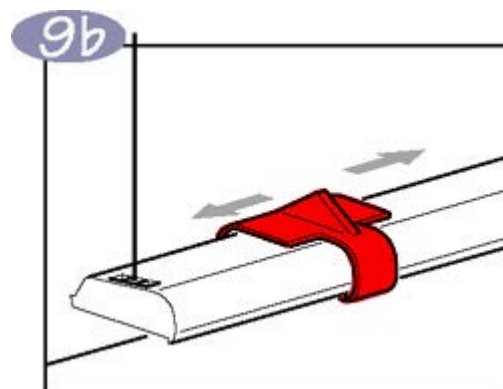
9a. "In-frame" side guide with tensioning rail

Install the bottom rail using the same method as for the headrail (see point 2a "Standard installation").



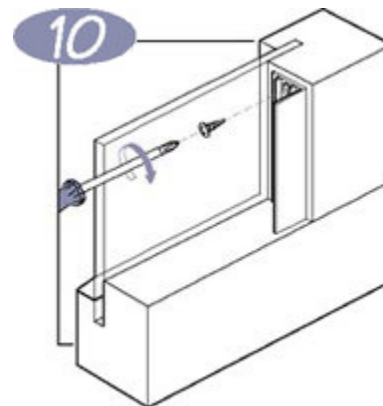
9b. Adjusting the tension

It is easy to adjust the tension using the red plastic accessory supplied. Place it over the tensioner in the bottom rail, and slide it to the left or right until the desired tension is achieved. Remove the plastic accessory and keep it safe in case you need to adjust the tension at some other time.



10. Installing "in-frame" cover strips

Screw the coverplate firmly into the frame.

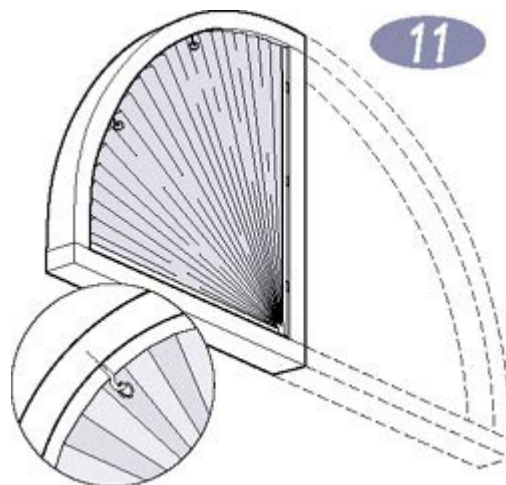


11. Half-round and quarter-round windows

Install the rail as described in points 1 and 2a "Standard installation".

If installing a Luxaflex® Duette® blind, screw the hooks into the frame so they lie in a fold. For an "on-frame" situation, install the toggles so that the handle lies in a fold.

If installing a Luxaflex® Plissé blind, screw the tensioning hooks into the frame. Space the hooks so that they lie with their eyes in the Plissé.

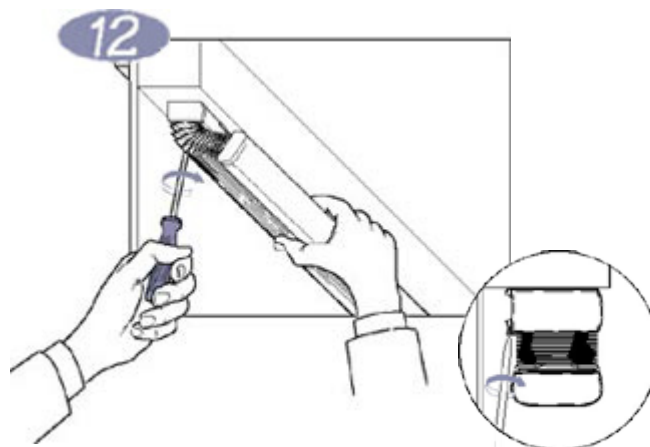


DE-INSTALLING

12. Raise the blind fully. Insert a screwdriver behind the headrail, between the bracket and the rail. Turn the screwdriver to release the headrail. de rail. Maak met de schroevendraaier een draaiende beweging en de bovenrail komt los.

Note:

If you are using tensioning cords, first remove the headrail, then the bottom guide.



MAINTENANCE

The fabric of both Duette® and Luxaflex® Plissé fabrics cannot be separated from the headrail. To prevent the Duette® and Plissé fabrics from becoming dirty, the blinds should be cleaned regularly with a feather duster or with a vacuum cleaner at a low setting. Stains should be removed as quickly as possible with a soft sponge and lukewarm water containing a non-synthetic detergent, if required.

NB.

Duette® and Plissé fabrics with a metallized back should not be cleaned with water, since this could damage the metallized coating.

In order to clean the whole blind, it is possible to submerge nonmetallized Plissé, coated Duette® and Plissé fabrics in a bath, together with the bottom rail. This does not apply to the black-out version. You should remove the steel weighting slat from the bottom rail by taking the plastic end cap out of the bottom rail before washing.

Proceed as follows:

Fill a container, bath or basin with lukewarm water (30°C) and add a non-synthetic detergent, one cap per litre water. Lay the fabric in the water and hold the headrail above the water.

The cleaning result will be better if the pleats are not held in the water as a bundle, but opened. Prevent the creasing or deforming of the fabric and the pleats. Use a soft sponge or brush on the fabric to clean any stains. Do not leave the fabric in the water for longer than two hours.

Hang the fabric out fully above the bath and spray-clean it front and back, to ensure that dirt and soap residue are removed from the fabric. Pull the fabric up carefully and ensure that the pleats fold correctly. Once the bundle of material has been completely folded together, press the headrail and bottom rail together again with both hands. This will wring as much water as possible out of the fabric.

Replace the steel weighting slat in the bottom rail. Now replace the Duette® or Plissé shade in the mounting brackets, and allow the fabric to drop completely. You can try again to remove any marks or residual dirt with a slightly damp sponge. Now raise the fabric to ± 300 mm under the headrail.

Raise the fabric once every hour and then allow it to drop before raising it again to 300 mm under the headrail. Repeat this cycle until the fabric is dry. If the shade is wider than the bath at your disposal, you can clean the fabric with a soft sponge or have it cleaned by a professional cleaning service.

Disclaimer

The above recommendations have been drawn up with care. We are, nevertheless, unable to accept responsibility for the results of cleaning.